

Parts List



File No.

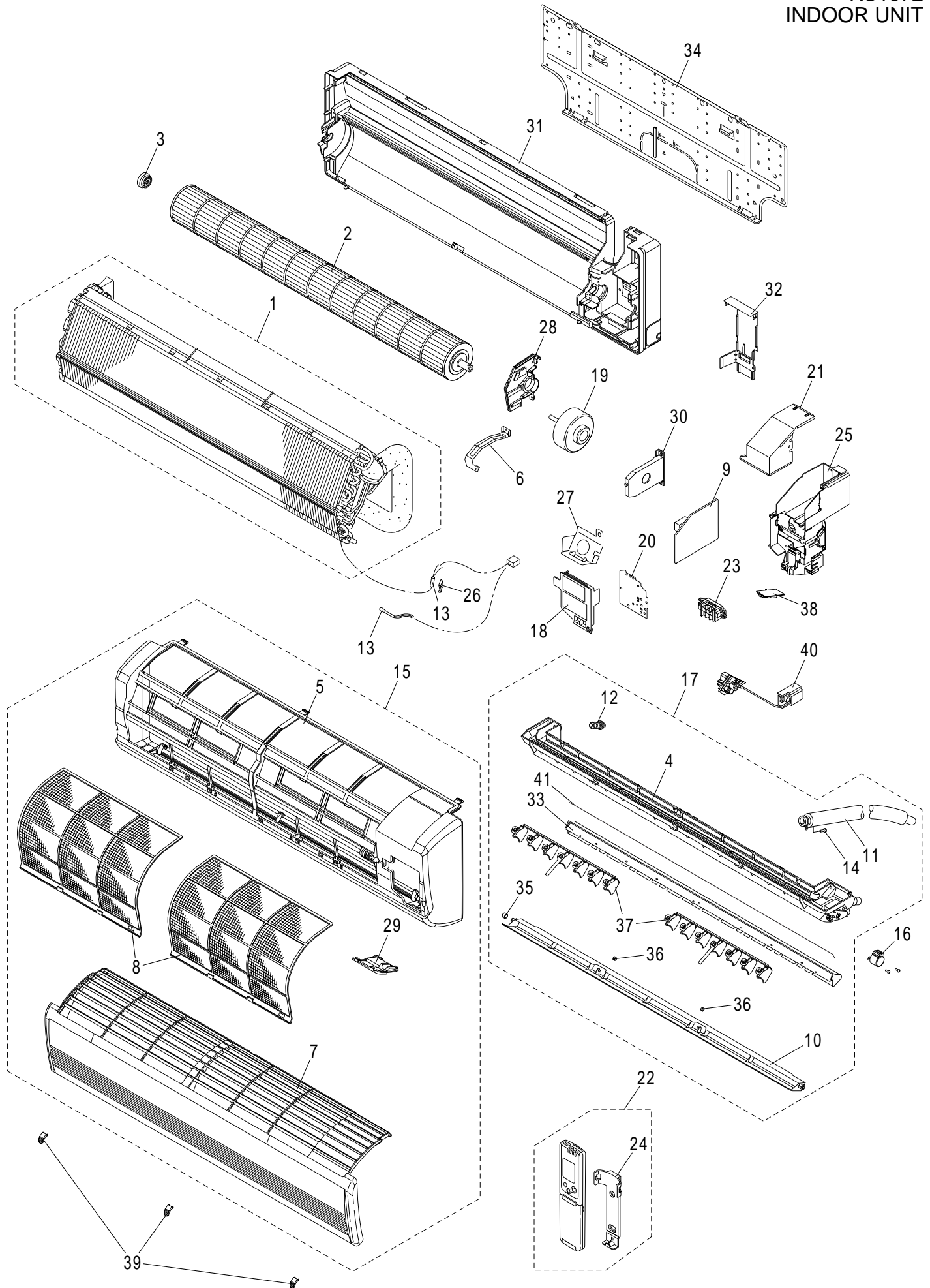
Air Conditioner

INDOOR UNIT
KS1872

Model No.	Prod.Code	Volt-Phase-Hertz
KS1872	1 852 099 83	230-208-1-60

REFERENCE No.PL 706242

KS1872
INDOOR UNIT



ATTENTION !

To ensure correct parts supply, please let us know followings,
when you make service parts order:

1.Part No. 2.Description 3.Q'ty 4.Volts-Hz-Ph 5.Product Model No.

KS1872
INDOOR UNIT

Key No.	Part No.	Description	Q'ty	Reference No.
1	623 191 7537	Evaporator Ass'y	1	852-0-4116-93000
* 2	623 184 5397	Cross-Flow Fan Ass'y	1	852-0-2509-29200
* 3	623 171 8318	Bearing Housing Ass'y	1	852-0-2510-13200
4	623 191 7520	Air Outlet Frame	1	852-2-1531-21011
5	623 191 7513	Grille	1	852-2-1501-52211
6	623 184 5366	Mounting Plate	1	852-2-2385-12801
7	623 191 7506	Ornamental Plate	1	852-2-1516-38711
8	623 191 7490	Air Filter Ass'y	2	852-0-2307-34502
* 9	623 191 7728	Circuit Board Ass'y CB-KS1872	1	8FA-0-5181-21100
10	623 191 7551	Flap	1	852-2-1523-30011
11	623 177 2235	Drain Hose Ass'y	1	852-0-1303-29400
12	623 171 8363	Cap, Drain Pan	1	852-2-2348-12401
* 13	623 190 7682	Thermistor Ass'y PTM-D51H-S3-2	1	8FA-0-5259-20300
14	623 151 0646	Screw Special	1	852-2-2396-15101
15	623 191 7544	Grille Ass'y	1	852-0-1501-74900
* 16	623 177 2204	Step Motor MP24Z3-12V	1	1FA-4-M3A0-00900
17	623 191 7599	Air Outlet Ass'y	1	852-0-1531-30600
18	623 191 7582	Terminal Cover Ass'y	1	852-0-5309-07400
* 19	623 184 5496	Fan Motor SIC-39CVL-D847-2	1	1FA-4-M5B0-07100
20	623 184 5489	Mounting Plate	1	852-2-2385-13001
21	623 184 5472	Cover Plate	1	852-2-5309-41401
* 22	623 190 8542	Remote Control Switch RCS-4VPIS4U	1	8FA-0-0054-28900
23	623 003 2996	Terminal Base KTU15N-3J	1	4-2379-56159
24	623 171 8400	Holder	1	851-2-5377-02001
25	623 191 7667	Elec. Component Box	1	852-2-5307-70911
26	623 148 5876	Mounting Thermostat	1	852-2-5303-22401
27	623 191 7650	Angle Terminal	1	852-2-5306-36301
28	623 191 7643	Mounting Plate Ass'y	1	852-0-2217-18200
29	623 191 7636	Sash ORN Ass'y	1	852-0-1301-31400
30	623 191 7629	Mounting Plate, Fan Motor	1	852-2-2354-30711
31	623 191 7612	Frame Ass'y	1	852-0-2201-43600
32	623 191 7605	Mounting, Tube	1	852-2-2362-30212
33	623 191 7698	Guide Air Defl	1	852-2-2360-19711
34	623 184 5625	Rear Panel	1	852-2-2230-22901
35	623 146 9104	Mounting	1	852-2-1514-52001
36	638 003 7209	Mounting	2	852-2-1514-44002
37	623 191 7681	Blade	2	852-2-1519-35411
* 38	623 190 7750	P.C.B. Ass'y IND-KRV184EH	1	8FA-0-5178-62700
39	623 191 7674	Cap	3	852-2-2350-24211
* 40	623 184 5588	Minus Ion Generator ION-YU11-1S6	1	1FA-4-P1Z0-06300
41	623 192 0513	Wire	1	852-2-1315-36101

NOTE: Metal and plastic parts will be supplied basically with necessary heat insulation pads or packing.
Each key number with an asterisk (*) means the recommended service parts.



SANYO Electric Co.,Ltd
Osaka, Japan
1/06 Printed in Japan