



DESCRIPTION

STRATO switch mode driver technology is designed to generate one constant current output from a wide range AC input. The size and performance of these products make them the ideal choice for LED lighting applications.



KEY FEATURES

- Wide Input Range: 120/220-240/277V_{AC}
- Constant Current Output
- High Efficiency up to 90%
- Compact Design
- Trimmable Output Current Settings
- Dimmable with 0-10V / 1-10V Dimmers
- Over-Temperature Protection for LEDs (NTC)
- Convection Cooled
- Wide Operating Temperature Range
- Long Life
- RoHS Compliant



FIVE YEAR
WARRANTY



LED
LIGHTING



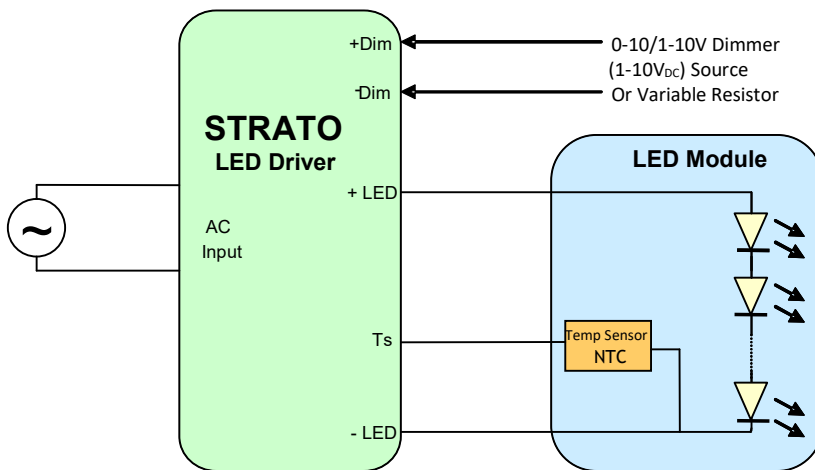
APPLICATIONS AND BENEFITS

STRATO is designed for directly powering LEDs in commercial & industrial lighting applications.

The product's extremely **small form factor** and **high efficiency** makes it suitable for integration into most light fixtures and standard electrical junction boxes.

A host of integrated **control features**:

- Simplify Light Fixture Design
- Ease Safety Approval Cycles
- Lower Fixture Complexity and Cost



STRATO's versatile control features:

- A Temperature sensor (NTC thermistor) protects the LED from over-temperature.
- A 2 wire Dimming input provides both output trimming, and 10-100% lout Dimming function.



MODEL CODING AND OUTPUT RATINGS

Model number	I _{out} Max	P _{out} max	V _{out} (min)	V _{out} (max)	V _{out} (No Load)
	<i>mA</i>	<i>W</i>	<i>V_{DC}</i>	<i>V_{DC}</i>	<i>V_{DC}</i>
RSLD070-60	350	74	150	210	250
RSLD070-50	350	61	125	175	210
RSLD070-45	350	55	113	158	190
RSLD070-30	700	74	75	105	120
RSLD070-25	700	61	63	88	100
RSLD070-14	1400	65.8	33	47	60

Table 1: Absolute Maximum Driver Ratings

Refer to Strato Application Note #3, Output Voltage Range for proper device selection.



CONTROLS

Output Controls: Two dedicated inputs provide control and safety features.

Dim: A dimming input can be used to adjust the output setting via a standard commercial wall dimmer, an external control voltage source (1 to 10V_{DC}), or a variable resistor when using the recommended number of LEDs. The input permits 100% to 80% trimming and 100% to 10% dimming. This permits active control of the driver and may be used for trimming and dimming purposes. See Strato Application Note 1 for details on functionality and compatibility with standard industry practices.

Ts: The Temperature input may be connected to a 100k NTC thermistor. The thermistor should be located on the LED assembly to monitor its temperature. If the temperature exceeds a predetermined set point, the output current of the module is automatically reduced to regulate the temperature of the LED at a safe level. See Strato Application Note 1 for details.



INPUT AND OUTPUT SPECIFICATION

Specification	Test Conditions / Notes	Min	Nom	Max	Units
AC Input Voltage	120/220-240/277V _{AC} Device starts and operates at 90V _{AC} at all load conditions	90	120/220-240/277	305	V _{AC}
Input Frequency		47	50/60	63	Hz
Input Current	120V _{AC} Rated Load	-	-	0.65	A
	230V _{AC} Rated Load	-	-	0.34	
	277V _{AC} Rated Load	-	-	0.30	
Power Factor	120V _{AC} at Nominal Load	0.9	-	-	
	230V _{AC} at Nominal Load	0.9	-	-	
	277V _{AC} at 80-100% rated current	0.9	-	-	
THD¹	120/220-240/277V _{AC}	-	-	20	%
Inrush Current	120V _{AC} Half Value time: 150μs	-	-	13.4	Apk
	230V _{AC} Half Value time: 190μs	-	-	27.9	
	277V _{AC} Half Value time: 130μs	-	-	31.0	
Efficiency	120V _{AC} Rated Load	-	91	-	%
	230V _{AC} Rated Load	-	92	-	
	277V _{AC} Rated Load	-	92	-	
Harmonic Current	Complies with EN-61000-3-2, Class C load >25W with output voltage between 93% and 100%				

Note 1 Total Harmonic Distortion <20% with output voltage between 93% and 100% and 100% rated output current



OUTPUT SPECIFICATIONS

Specification	Test Conditions / Notes	Min	Nom	Max	Units
Output Power Rating	check Model Coding and Output Ratings table	61	-	74	W
Output Voltage	check Model Coding and Output Ratings table	33	-	210	V
Output Current	check Model Coding and Output Ratings table	350	-	1400	mA
Ripple Current	All models measured (I _{out} _Pk-pk/RMS)	-	-	45	%
Output Regulation		-	-	±3	%I _{out}
Start-up time	With no dimmer connected	-	-	500	ms



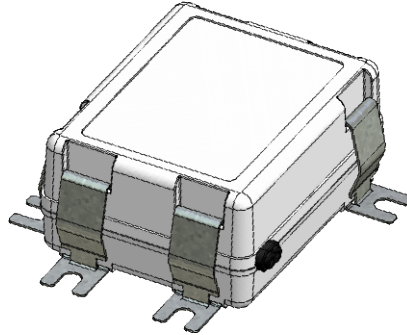
PROTECTION FEATURES

Specification	Test Conditions / Notes	Min	Nom	Max	Units
Output Over Voltage		110	-	130	%V _{MAX}
Output Short-Circuit	Hiccup, auto Recovery	-	-	-	-
Over-Temperature T_c	Hiccup, auto Recovery if the PSU exceeds the rated T _c temperature		90		°C
No Load	Check No Load Voltage in Table 1	60		250	V
Isolation Primary-to-Secondary	Reinforced/double Insulation meets IEC/EN61347-2-13 Class II				



MECHANICAL DETAILS

- Packaging Options:** Partially Encapsulated with ABS plastic body enclosure
- I/O Connections:** Flying leads, 18AWG on power leads, 20AWG on control leads, 152mm long, 105°C Rated, Stranded, Stripped by approximately 9.5mm and tinned. Double insulation input wires.
- Ingress Protection:** IP20, UL damp rated
- Mounting Details:** Universal Mounting Clips, and 6 mounting locations per package allow installer to choose the most suitable position for the mounting feet.

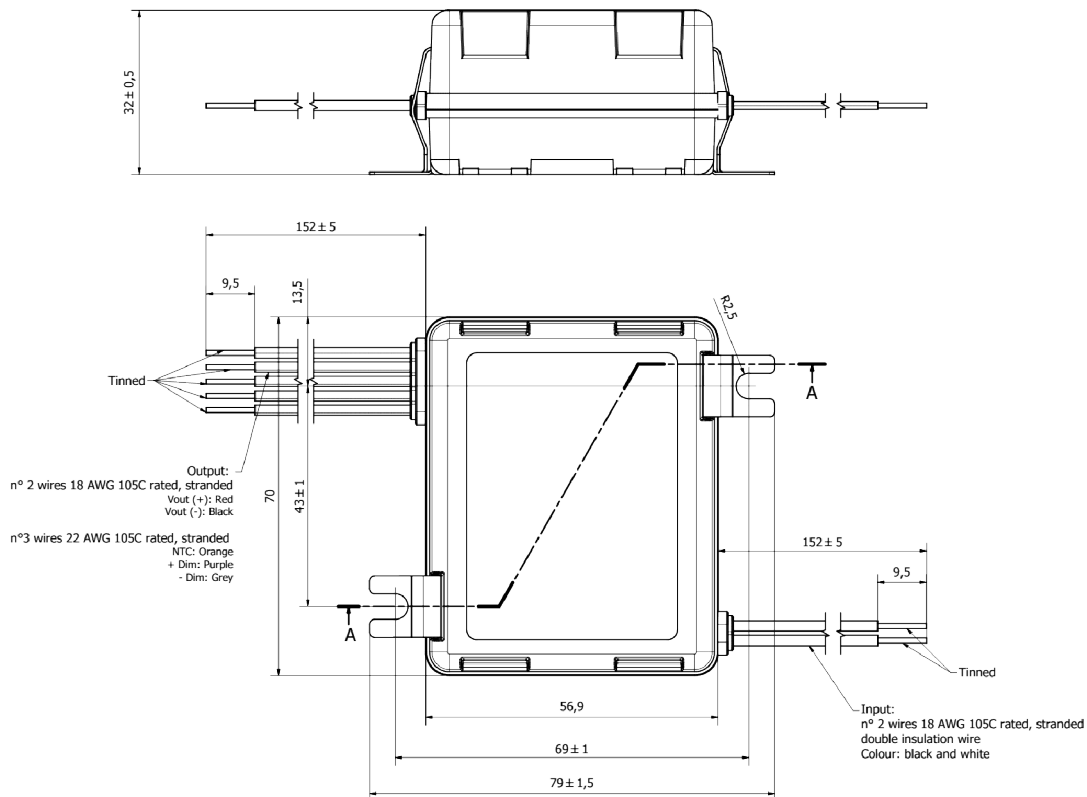


Universal Mount
A Patent Pending Design



OUTLINE DRAWINGS

- Package:** RSLD070
- Dimensions:** 70 x 57 x 32mm
2.76 x 2.24 x 1.06in
- Volume:** 128cm³, 7.54in³
- Mass:** 170g, 6Oz.




ENVIRONMENTAL SPECIFICATIONS

Specification	Test Conditions / Notes	Min	Nom	Max	Units
Top Case Temperature Range	Top case temperature without derating	-30	-	90	°C
Ambient Temperature Range	As long as Tc temperature is within the limits	-30	-	50	°C
Storage Temperature		-40	-	85	°C
Operating Relative Humidity	Non-condensing	5	-	95	%
Surface Temperature	Exposed surfaces temperature under all operating conditions	-	-	90	°C
Cooling	Convection cooled				
Shock EN 60068-2-27	Operating: Half sine, 30g, 18ms, 3 axes, 6x each (3 positive and 3 negative). Non-Operating: Half sine, 50g, 11ms, 3 axes, 6x each (3 positive and 3 negative).				
Vibration EN 60068-2-64	Operating: 5 – 500Hz, 1gRMS (0.02g ² /Hz), 3 axes, 30 min. Non-Operating: 5 – 500Hz, 2.46gRMS (0.0122g ² /Hz), 3 axes, 30 min.				
Vibration EN 60068-2-6	Operating Sine, 10 – 500Hz, 1g, 3 axes, 1 oct/min., 60 min.				
MTBF	Typical Load, 70°C Tc, MIL.HDBK-217E	-	250k	-	Hours
Useful Life	Nominal V _{AC} , 70°C Tc Nominal Load	-	50k	-	Hours







ELECTROMAGNETIC COMPATIBILITY (EMC) – EMISSIONS

Phenomenon	Conditions / Notes	Standard	Performance Class
Conducted Emission	Test at 120V _{AC}	EN55022; FCC Part 15	Class B
	Test at 230V _{AC}	EN55015	-
	Test at 277V _{AC}	EN55022; FCC Part 15	Class A
Radiated Emission	Test at 120V _{AC}	FCC CFR47-part15	Class B
	Test at 230V _{AC}	EN55015	-
	Test at 277V _{AC}	FCC CFR47- part 15	Class A
Harmonic Current Emissions		EN61000-3-2	Class C
Voltage Changes, Fluctuation and Flicker		EN61000-3-3	


ELECTROMAGNETIC COMPATIBILITY (EMC) – IMMUNITY

Phenomenon	Conditions / Notes	Standard	Note
Equipment for general lighting purposes -EMC Immunity Req.		EN 61547	
ESD (Electrostatic Discharge)		EN 61000-4-2	
Radiated Radio-Frequency electromagnetic field		EN 61000-4-3	
Electric Fast Transient / Burst	Level ±1.0kV L-L	EN 61000-4-4	
Surge	Level ±1.0kV L-L	EN 61000-4-5	
Conducted disturbances induced by Radio-Frequency fields		EN 61000-4-6	
Voltage Dips, short interruptions and Voltage Variations		EN 61000-4-11	
Non-repetitive damped oscillatory transient, Ring wave	2.5kV	ANSI C.62.41	Category A


SAFETY AGENCY APPROVALS

Certification Body	Safety Standards
	UL Recognized ANSI / UL8750, 1 st Ed., CSA C22.2 No.250-13, 7 th Ed. Models with output voltages <60 V _{DC} include UL and CSA approval (cURus) as Class 2 output. LED Driver suitable for dry and damp location
	IEC/EN 62384 Electronic control gear for LED modules – Performance Requirements. IEC/EN, 61347-1, IEC/EN 61347-2-13 Electronic control gear for LED Modules – Safety.
	To obtain the “CE Declaration of Conformity” please contact info@efore.com
	IECEE CB Certified, IEC/EN, 61347-1, IEC/EN 61347-2-13 electronic control gear for LED Modules. All models are isolated control gears, SELV equivalent, with internal reinforced insulation as per IEC/EN 61347-2-13. Drivers to be incorporated in the luminaire.
	Reinforced/double Insulation meets IEC/EN61347-2-13 Class II

Specifications appearing in EFORE’s catalogues and brochures as well as any oral statements are not binding. All descriptions, drawings and other particulars (including dimensions, materials and performance data) given by EFORE are as accurate as possible but, being given for general information, and are not binding on EFORE. EFORE makes thus no representation or warranty as to the accuracy of such material. We assume no liability other than as agreed in the terms of the individual contracts and we reserve the right to make technical modifications in the course of our product development. Our product information solely describes our goods and services and is in no way to be construed or interpreted as a quality or condition guarantee. The aforesaid shall not relieve the customer of its obligation to verify the suitability of our Products for the use or application intended by the purchaser. Customers are responsible for their products and applications. EFORE assumes no liability from the use of its products outside of specifications. No license is granted to any intellectual property rights by this document.