



30W LED Driver with Constant Current 700mA PDA030B LED Power Supply for General Lighting



Features

- Constant Current
- SELV Compliant
- Low Profile design
- IP20 Rating
- UL8750 Compliant
- Brownout/Brownout Recovery
- OVP, OCP, Short/Open Circuit Protection
- Wide Operating Temperature Range

Applications

- General Lighting
- Indoor Lighting

Safety Approvals

- cUL/UL
- PSE

Mechanical Characteristics

- Length: 130mm (5.1in)
- Width: 40mm (1.6in)
- Height: 21mm (0.8in)
- Weight: 120g (4.2oz)

Output Specifications

Model	DC Output Voltage Range			Output Current Range			Max Power
	Min.	Typ.	Max.	Min.	Typ.	Max.	
PDA030B-700C	15V	-	42V	650mA	700mA	750mA	31.5W

Phihong is not responsible for any error, and reserves the right to make changes without notice. Please visit our website at www.phihong.com for the most up-to-date specifications and contact information.

INPUT:

AC Input Voltage
90 to 132VAC

Nominal AC Input Voltage
100 to 127VAC

Leakage Current
0.5mA maximum

Maximum Input Current
≤0.5A at 100VAC

AC Inrush Current
≤20A at full load, 120VAC

OUTPUT:
Total Output Power
30W Typical

Efficiency
82% minimum

Power Factor
≥0.95 with full load

Ripple
<1A

ENVIRONMENTAL:

Operating Temperature -20 to +50°C
Storage Temperature -40 to +85°C

Operating Humidity 10 to 95%
Storage Humidity 05 to 95%

Warranty
3 Years

Lifetime
20K Hours

EMC

EN55015, FCC 47 Part 18, EN55022 Class B

Immunity

IEC61000-4-2
IEC61000-4-5
IEC61000-3-2 Class C
IEC61000-3-3

Isolation Test

Primary to secondary: 3230VAC for 1 minute, 10mA

Insulation Resistance

Primary to secondary: >5M OHM 500VDC, 1 minute

FEATURES:

Input Over Current Protection

Input power line fused with 1.6A fuse

Short Circuit

Will withstand short circuit without damage

Output Overvoltage Protection

Protected (latched) from over voltage at nominal AC input.

Open Circuit Protection

Once circuit is opened, output will not be damaged at nominal AC input conditions

Input / Output Connection

2-pin terminal block

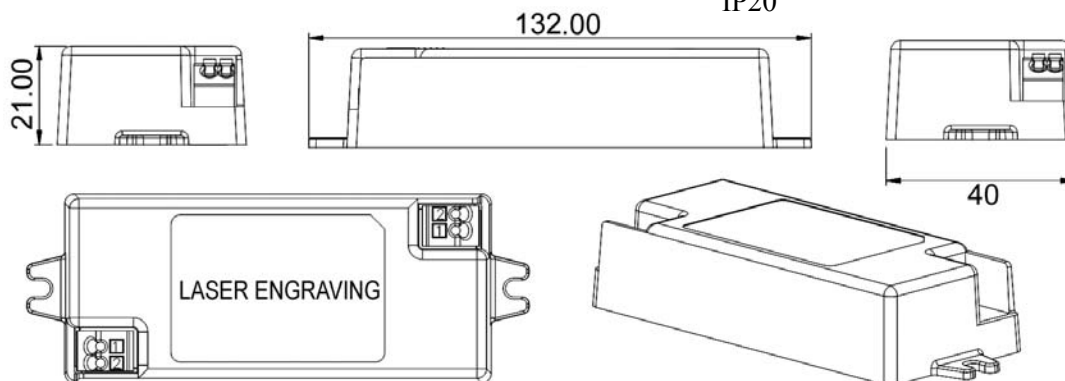
Input / Output Wires (Solid or Stranded)

Position	Terminal Color	Specification
Line	Brown	AWG10~24
Neutral	Blue	AWG10~24
Vout+	Red	AWG10~24
Vout-	Black	AWG10~24

Ingression Protection

IP20

Dimension Diagram Unit:mm



Mouser Electronics

Authorized Distributor

Click to View Pricing, Inventory, Delivery & Lifecycle Information:

[Phihong:](#)

[PDA030B-700C-R](#)